

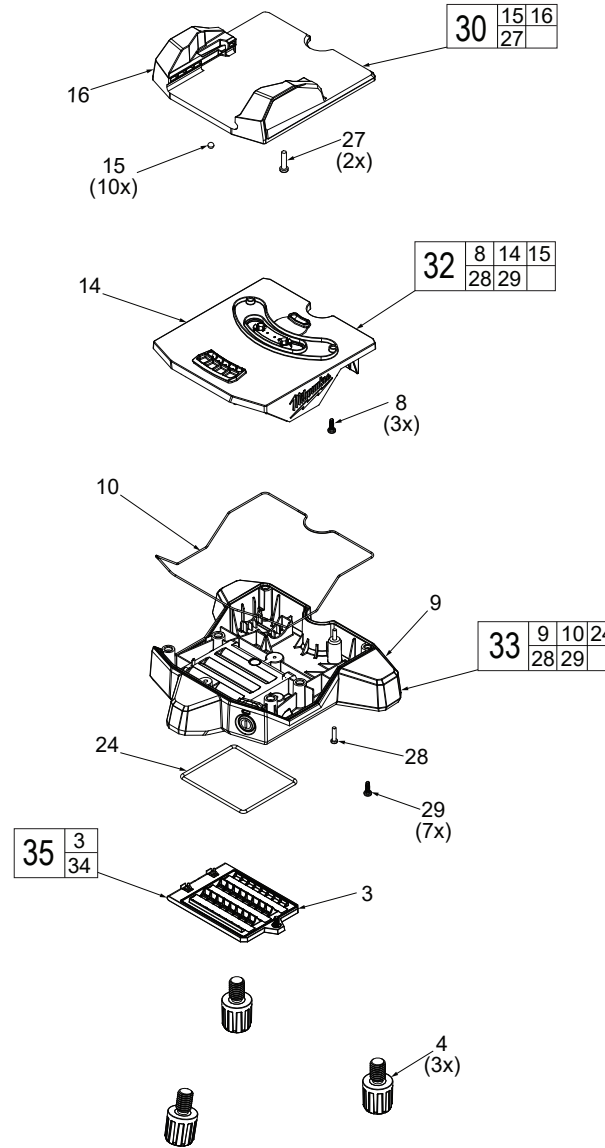


SERVICE PARTS LIST

BULLETIN NO.
54-07-1300

SPECIFY CATALOG NO. AND SERIAL NO. WHEN ORDERING PARTS				REVISED BULLETIN	DATE
Wireless Laser Alignment Base w/Remote					Nov. 2023
CATALOG NO.	48-35-1314	STARTING SERIAL NO.	P21A	WIRING INSTRUCTION	
	22-80-1314		P25A		

CATALOG NO. 48-35-1314
Wireless Laser Alignment Base



EXAMPLE:
Component Parts (Small #)
Are Included When Ordering
The Assembly (Large #).

FIG.	PART NO.	DESCRIPTION OF PART	NO. REQ.
4	28-60-0010	Feet (Set of 3)	(1)
8	-----	M2.6 x 8mm Plastite Fastener	(3)
9	-----	Bottom Housing Assembly	(1)
10	-----	Main Gasket	(1)
14	-----	Top Plate Assembly	(1)
15	-----	4mm Ball	(10)
24	-----	Battery Door Gasket	(1)
25	-----	Retaining Ring	(1)
26	-----	M3 Philips Screw	(1)
28	-----	M2.5 x 12mm PH T8 Screw	(1)
29	-----	M2.5 x 6mm Plastite Fastener	(7)
30	31-03-0500	Swivel Plate Service Assembly	(1)
32	31-50-0993	Top Plate Service Assembly	(1)
33	31-50-0994	Bottom Housing Service Assembly	(1)
34	12-20-1001	Service Nameplate (not shown)	(1)
35	31-21-0012	Battery Door Service Assembly	(1)

CATALOG NO. 22-80-1314
 Laser Base Remote

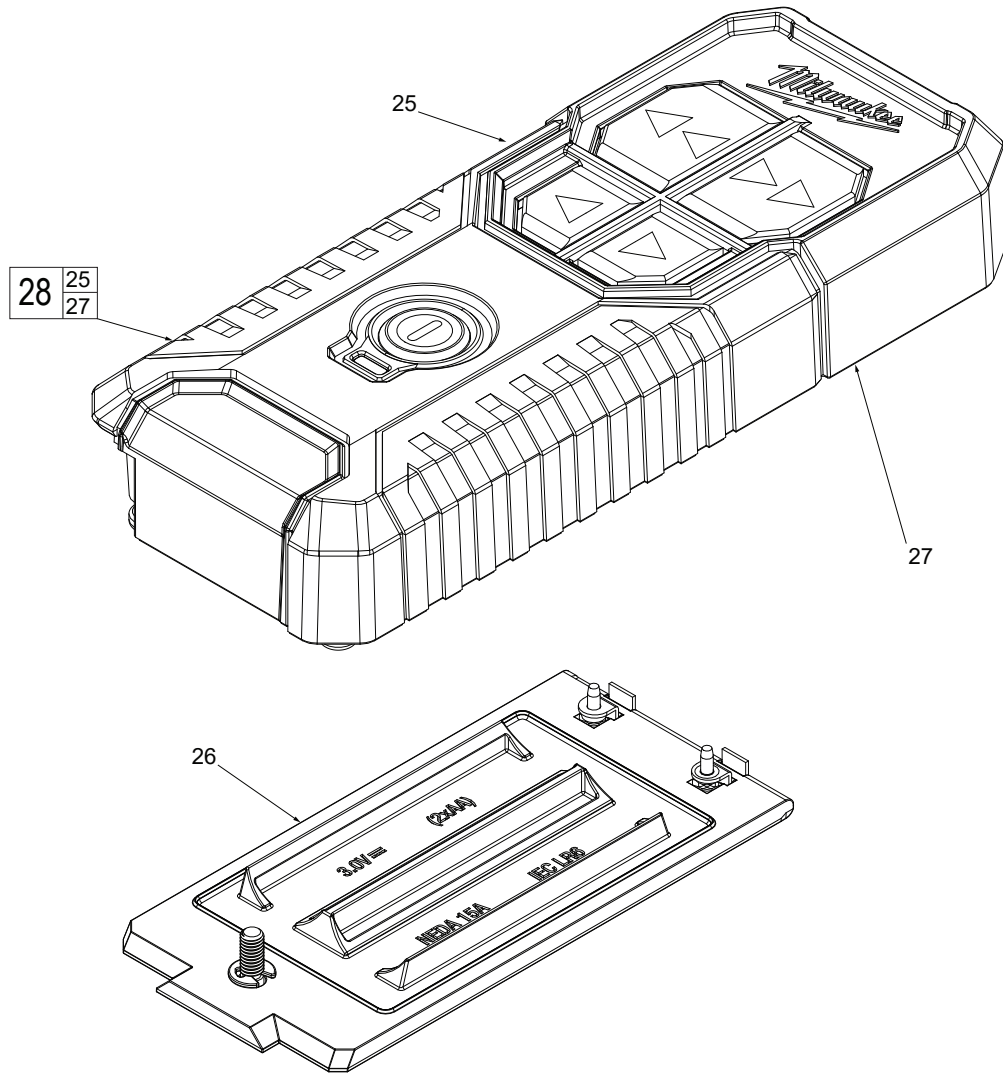


FIG.	PART NO.	DESCRIPTION OF PART	NO. REQ.
25	-----	Remote Assembly	(1)
26	31-21-0014	Battery Door Service Assembly	(1)
27	12-20-1002	Service Nameplate (not shown)	(1)
28	14-20-0801	Remote Service Assembly	(1)